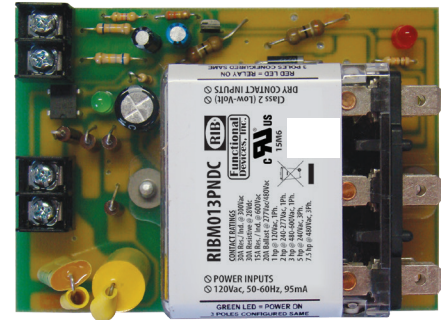
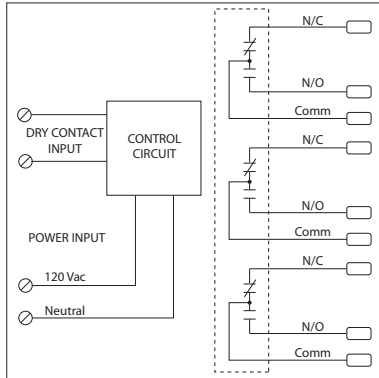


**DRY CONTACT INPUT TRACK MOUNT RELAYS**

**RIBM013PNDC**

4.00" Track Mount Relay 30 Amp 3PDT, Class 2  
Dry Contact Input, 120 Vac Power Input



RELAYS

**SPECIFICATIONS**

- # Relays & Contact Type: One (1) 3PDT Continuous Duty Coil 10
- Expected Relay Life: million cycles minimum mechanical
- Operating Temperature: -30 to 140° F
- Humidity Range: 5 to 95% (noncondensing)
- Operate Time: 20ms
- Relay Status: Red LED On = Activated
- Power Status: Green LED On = Activated
- Dimensions: 2.875" x 4.000" x 1.750"
- Track Mount: 4.000", See MT4 Series on page 152
- Approvals: UL Component Recognized, UL916 C-UL
- Gold Flash: No
- Override Switch: No

- Contact Ratings:**
- 30 Amp Resistive @ 300 Vac Heavy Pilot Duty
  - 30 Amp Resistive @ 28 Vdc 770 VA @ 120 Vac, 1 Phase
  - 15 Amp Resistive @ 600 Vac 1158 VA @ 240 Vac, 1 Phase
  - 7.5 HP @ 480 Vac, 3 Phase 1109 VA @ 277 Vac, 1 Phase
  - 5 HP @ 240 Vac, 3 Phase 1640 VA @ 480 Vac, 1 Phase
  - 3 HP @ 480-600 Vac, 1 Phase 1466 VA @ 240 Vac, 3 Phase
  - 2 HP @ 240/277 Vac, 1 Phase 2122 VA @ 480 Vac, 3 Phase
  - 1 HP @ 120 Vac, 1Phase
  - 20 Amp Ballast @ 277-480 Vac
- Not rated for Electronic Ballast*

**Power Input:**  
95 mA @ 120 Vac

- Notes:**
- Dry Contact Input Operation:  
Close dry contact to activate relay.